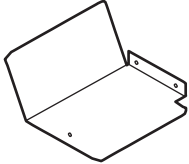
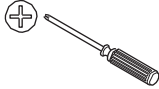

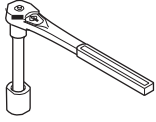
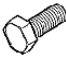



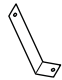
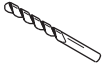
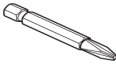
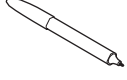





Exhaust Shield - SwingAway Frame

Rev. 0921

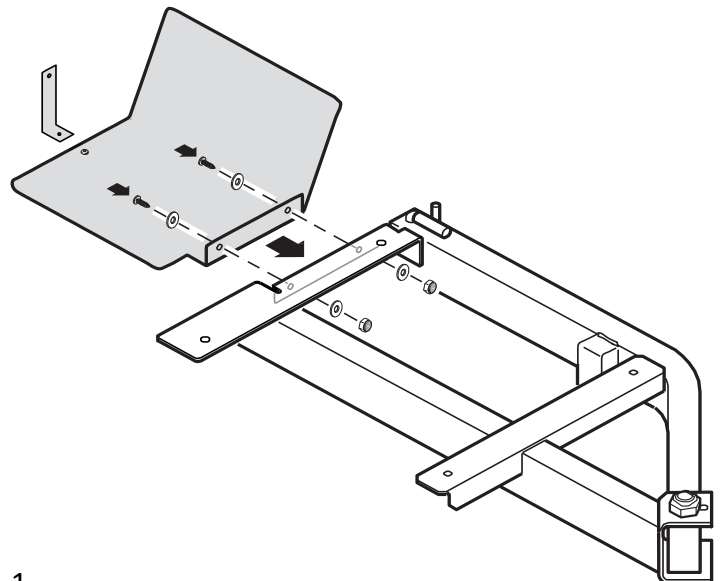
Parts	Tools Needed			Hardware			
 Exhaust Shield Driver's Side	 Philips Head Screwdriver	 Cordless Drill	 Socket Set	 Hex Bolts 5/16" x 1" Qty 2	 Flat Washers 5/16" Qty 4	 White Nylon Spacers Qty 2 (For Standard Box Only)	 Locknuts 5/16" Qty 2
 Bracket	 1/4" Drill Bit	 Phillips Head #2 Bit	 Red Sharpie Marker	 Phillips Screw 1/4" x 3/4" Qty 2	 Flat Washers 1/4" Qty 4	 Locknuts 1/4" Qty 2	

The StowAway Exhaust Shields are designed to deflect engine exhaust away from the StowAway Cargo Carrier, preventing heat deformation or even melting of the box. You may need one or both of the shields depending upon whether your vehicle has one or two exhaust pipes.

The Exhaust Shield is recommended for vehicles with exhaust pointing straight back or directly under the StowAway carrier on either side. Vehicles with exhaust pointing toward the ground or to the side do not need an exhaust shield.

Driver Side Exhaust Shield - SW Frame (#020.86)

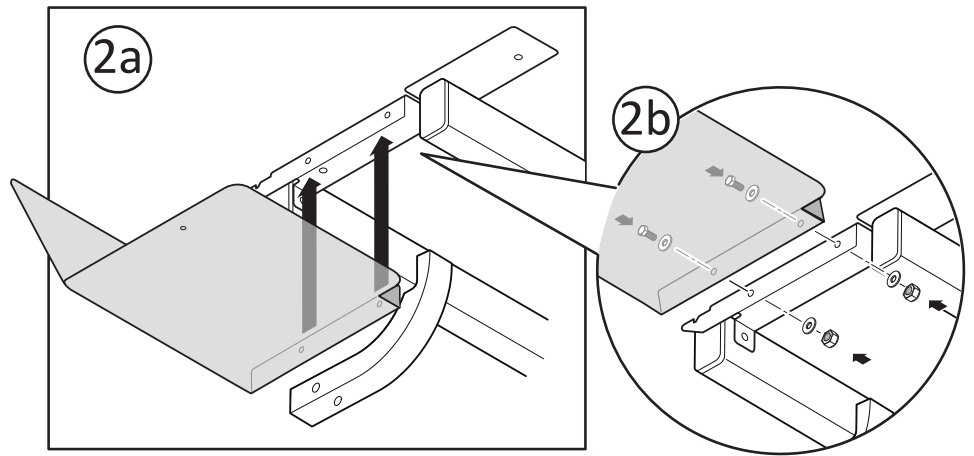
The Driver Side Exhaust Shield is used on vehicles with driver's side or dual exhaust pipes. It is mounted on the swingaway frame swing arm.



Installing Driver Side Shield - Max Box

1. Slide the assembled SwingAway frame into your hitch. If the frame has not been assembled, please assemble it per the frame assembly instructions.

2. Locate the two holes under the spear. Position the shield as shown and fasten with the 5/16" bolts, nuts, and washers provided. Washers to be included under the bolt head and the nut.



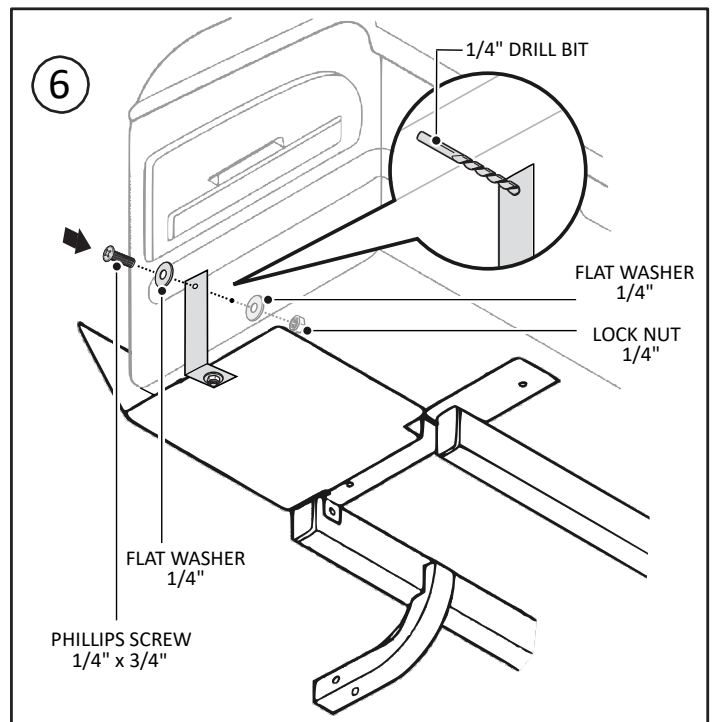
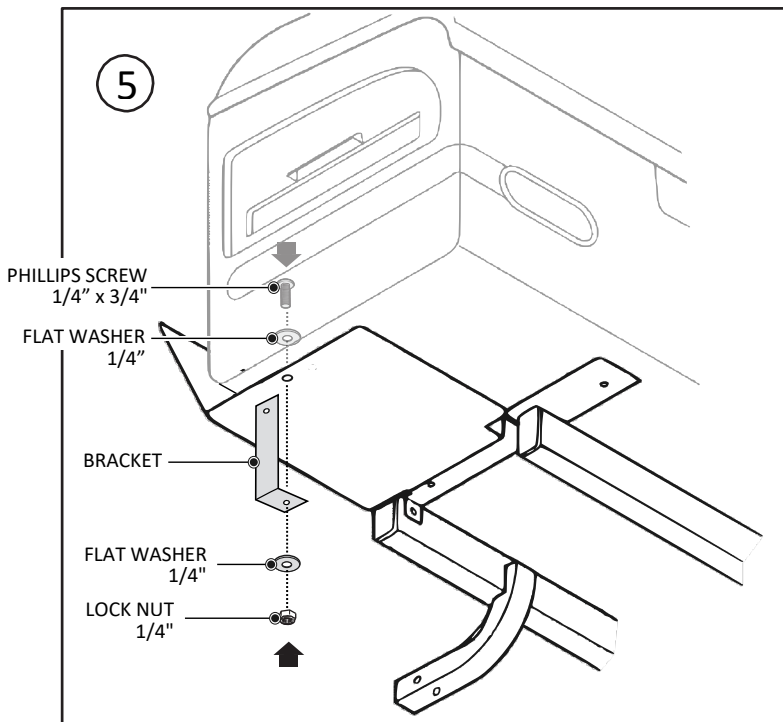
3. Install the Passenger side shield if one is required. See the instructions on Page 4.

4. Install the StowAway box per instructions.

5. Locate and install the Exhaust Shield Bracket on the shield as shown.

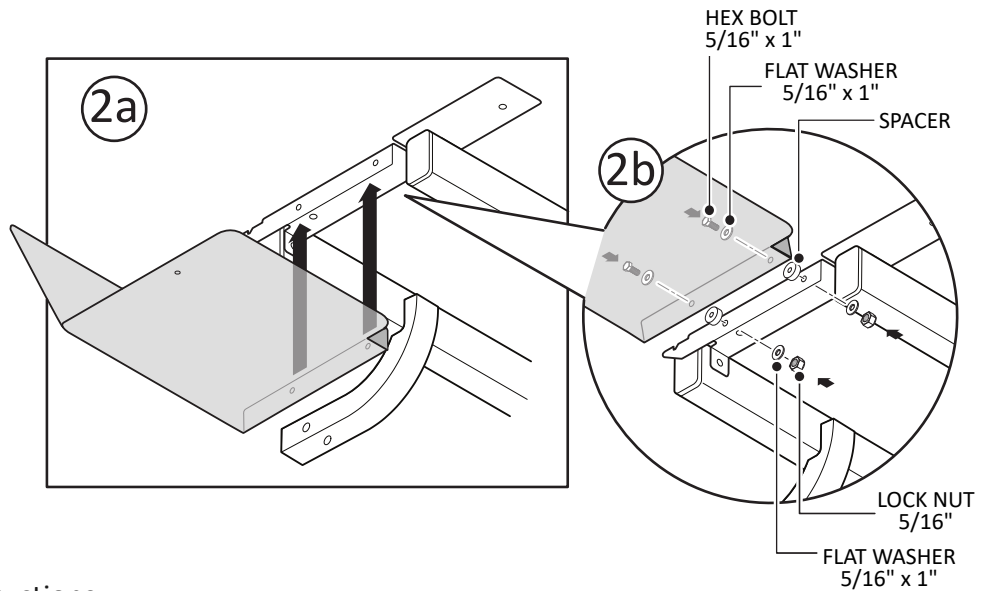
6. Position the bracket against the StowAway Box and drill a 1/4" hole through the box. Insert the 1/4" hardware as shown.

Once installed, the box drain plug may not fully seat. The shield prevents water from entering the box at this point.

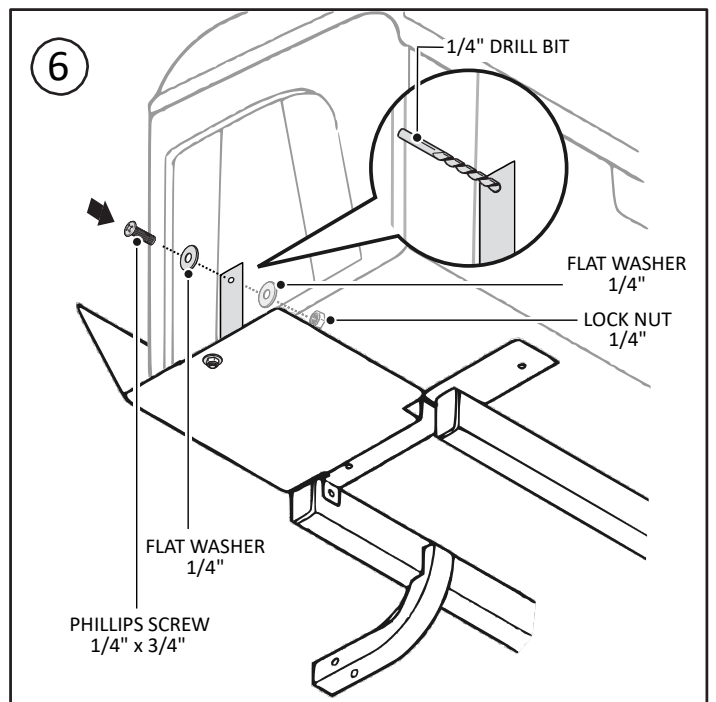
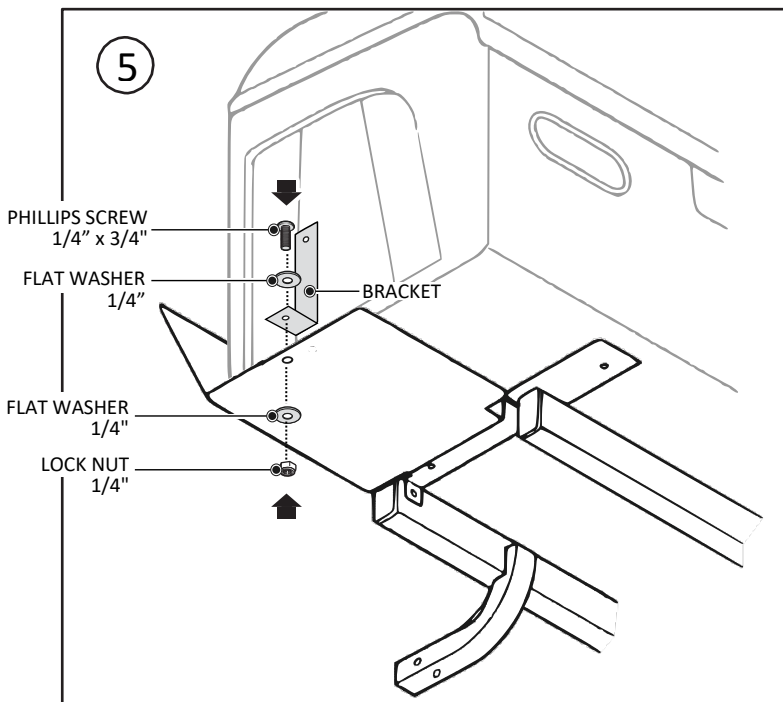


Installing Driver Side Shield - Standard Box

1. Slide the assembled SwingAway frame into your hitch. If the frame has not been assembled, please assemble it per the frame assembly instructions.
2. Locate the two holes under the spear (Fig 2a). Position the shield (Fig 2b) and insert the 5/16" hex bolts, washers, spacers, washers, and nuts as shown. Note that the spacers should go between the plate and the spear as shown (Fig 2b). Washers should go under the bolt heads and nuts.
3. Install the passenger side shield if one is required. See instructions on Page 4.
4. Install the StowAway box per instructions.
5. Locate and install the Exhaust Shield Bracket on the shield (Fig 5).
6. Position the bracket against the StowAway Box and drill a 1/4" hole through the box. Insert the 1/4" hardware (Fig 6).



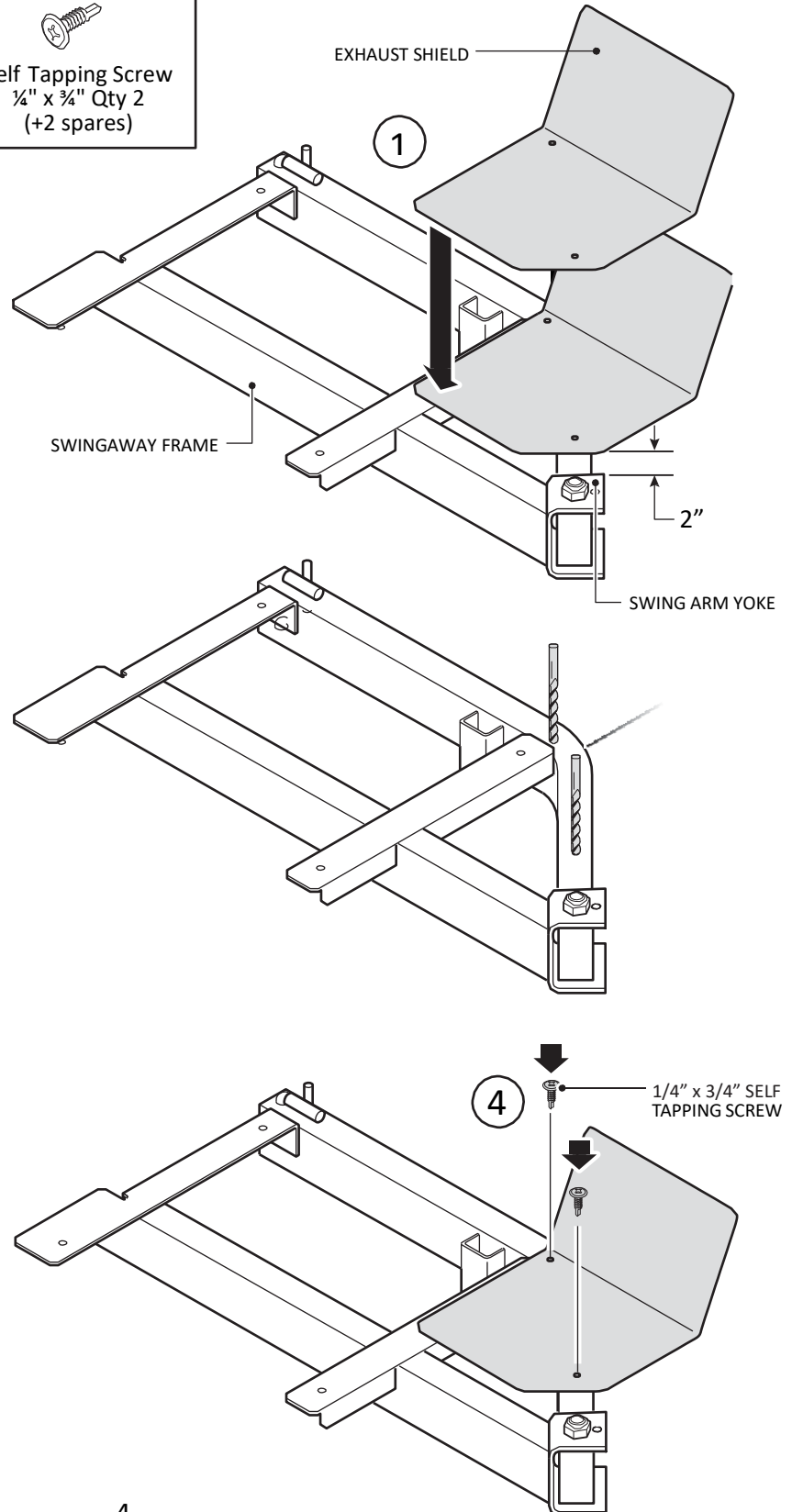
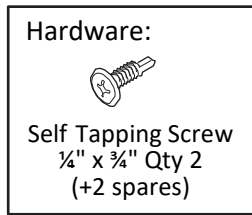
Once installed, the box drain plug may not fully seat. The shield prevents water from entering the box at this point.



Passenger Side Exhaust Shield - SW Frame (#020.85)

Installation For Standard and Max Boxes

1. Swing the frame out to the 90 degree position and lock into place with the secondary safety pin.
2. Examine the frame to see if the exhaust shield holes have been pre-drilled. If so, skip to step 4. Otherwise, position the Exhaust Shield 2" from the swing arm yoke. Center the shield holes on the tube and mark the center of the holes on your frame.
3. Drill holes in the frame at each of the two marks with a 7/32" drill bit. It may be easier to drill pilot holes with a smaller drill bit (1/8" or so) first, then follow with the 7/32" bit.
4. Position the Exhaust Shield over the drilled holes. Lightly oil and then screw two self-tapping screws into the frame using a #3 Phillips driver bit. Use firm downward pressure on the drill and the screw.
5. Swing the frame open and closed. Note box may lightly rub the exhaust shield.



Questions? Call **800.943.5377**.